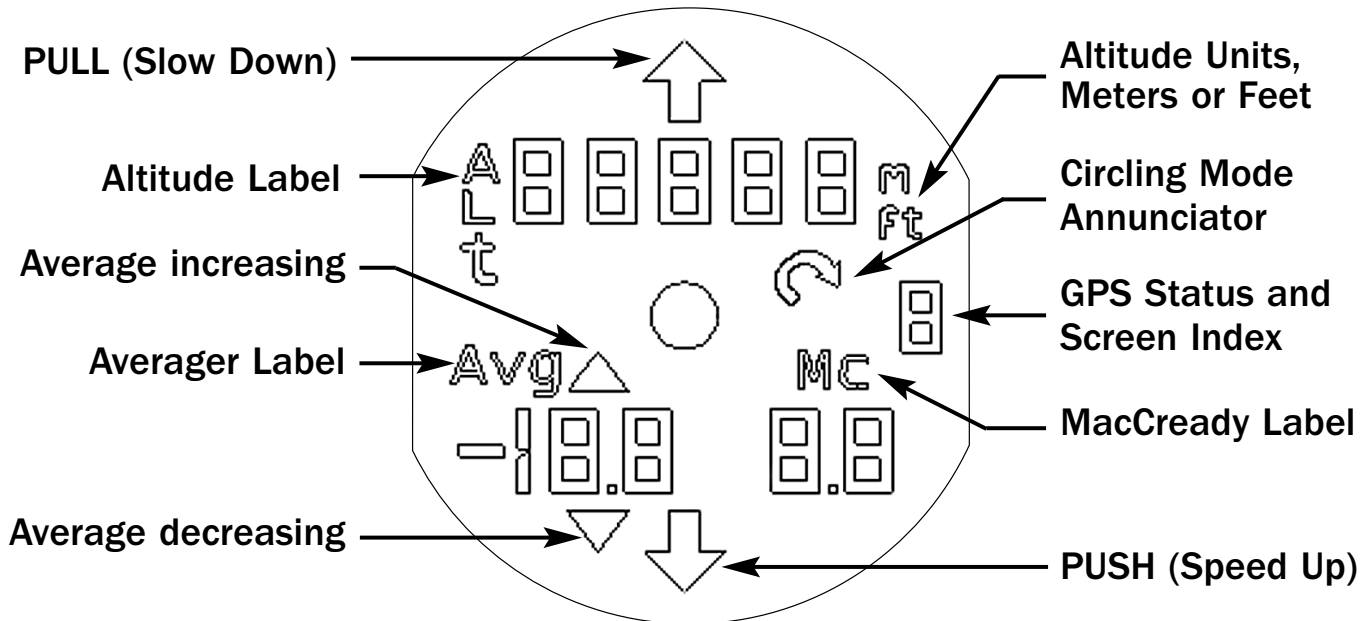


— Cambridge Aero Instruments —

301/302 Operator's Card



THE HOME SCREEN

- See Altitude, Average Lift, Average Trend, MacCready Setting
- Turn knob to change audio volume

SCREEN #1 *Set MacCready*

- Turn knob to change MacCready setting

SCREEN #2 *Set Altimeter*

- Upper digits → Altimeter Reading
- Lower 5 digits → Sea level Barometric Pressure (mBar or "Hg.)
- Turn knob to adjust barometric pressure & Altimeter reading

SCREEN #3 *Power Supply Voltages*

- Top line shows glider battery voltage.
- Bottom line shows SUPP.1
- Turn knob for SUPP.2, the auxiliary battery (OK > 9.2 V; Off < 7.2 V)

SCREEN #4 *Audio response time — Audio*

- Number is 67% of full scale time in seconds
- Turn knob to change audio vario response time

SCREEN #5 *Vario pointer response time — Po i.*

- Number is 67% of full scale time in seconds
- Turn knob to change vario pointer response time

— Additional Screens —

#6: **Alternative Altimeters**

- If configured for Altitude in meters:
Same as Home Screen but Alt. in ft.
- Turn knob to see Flight Level FL in ft. & meters, GPS Altitude $\bar{A}L$, & Pressure Altitude $P_r A_L$ in meters
 FL = Barograph Altitude at Std. Atm.
 $P_r A_L$ = Vario sensor at Std. Atm.
- If configured for Altitude in feet.
Same as Home Screen but FL in ft.
- Turn knob to see $\bar{A}L$ & $P_r A_L$ in ft.

#7 **Ballast Percentage** $\bar{b}AL$

- Shows water ballast (0-100%)

#8 **Slow Alarm Threshold** SLO

- Shows speed (kts or km/hr) below which alarm sounds.

#9 **TE compensation %** $E ADJ$

- Shows % dynamic pressure subtracted from static air pressure.
(100% if electronic compensation,
0% if TE probe compensation)

#0 **Sensor Readings**

- See Manual for details

#11 **Diagnostic Screens**

- Turn knob to move the pointer
- All LCD segments show at $P05$ ition 540

POWER-ON SCREENS





- The pointer moves at power-on to calibrate pointer zero
- Top line shows instrument serial number
- Bottom line shows Firmware Version
- After 10 seconds, Screen #2 is shown
Set barometric pressure
- Double-tap the knob to see HOME Screen

INSTRUMENT CONTROL

- The knob can be pressed (tapped) or turned
- Tap to advance Screen Index #
- Double-Tap to see the HOME screen
- Tap to reset an alarm condition
- With optional Switched power:
 - Turn ON by tapping the knob
 - Turn OFF by holding knob in for 3 seconds

HOME SCREEN GPS STATUS INDICATOR (Center Right Digit)

SYMBOL MEANING

-  → GPS receiver not present (301) or broken (302)
-  → GPS receiver OK, but no satellites found
-  → Satellites found, but no GPS fix
-  → 3-D GPS Fix (GPS OK!)